

182mm Series

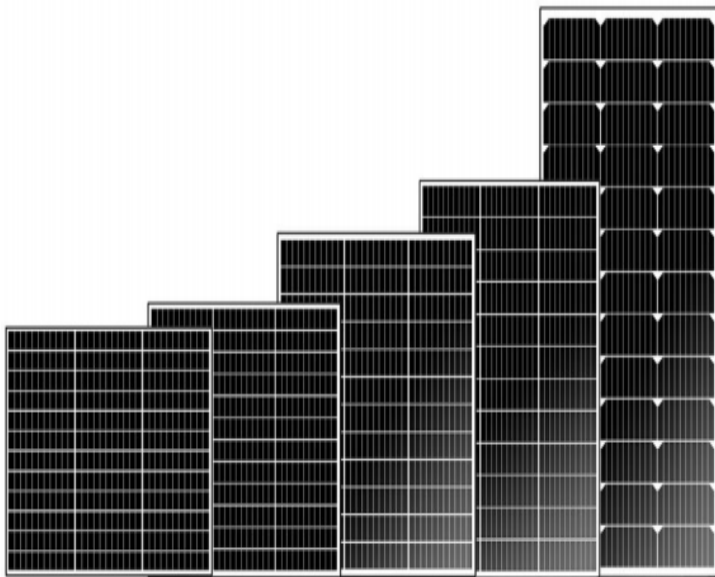
SR40~180-36M

182mm Cutted Cells
Monocrystalline

40-160W
Output Range

20.97%
Max Efficiency

0-3%
Power Tolerance



OFF GRID SOLAR MODULE

High Efficiency Monocrystalline PV Module
Silver or Black Frame

● KEY FEATURES

- High efficiency solar cells cutting design
 - Optimized power output under inter-row shading conditions
 - Low thermal coefficients for higher energy yield at elevated operating temperatures
- Heavy-duty anodized frames
- High transparent low-iron, tempered glass
- Excellent low irradiance performance
- Excellent power generation performance
- Positive tight power tolerance
- Dual stage 100% IV Inspection warranting defect-free product
- Warranted reliability and stringent quality assurances well beyond certified requirements

● APPLICATIONS

- Traffic & Safety
- Federal Government
- Agricultural
- Security
- Telecommunications
- Water and Wastewater
- Weather & Environmental Monitoring
- RV Camper
- Emergency Power
- Telemetry

● WARRANTY

25 25-year guarantee for 80% rated power

10 10-year product workmanship warranty

10 10-year guarantee for 90% rated power

● CERTIFICATIONS



SUNRY PV TECH. CO., LTD

Add:Yinping Road 15, High Tech Development District, Zhengzhou, Henan, China

Tel: 86-371-63686101 Email: sales@sunrypv.com

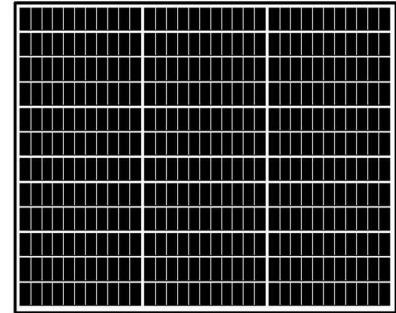
SR40-45-36M

High Efficiency Monocrystalline PV Module

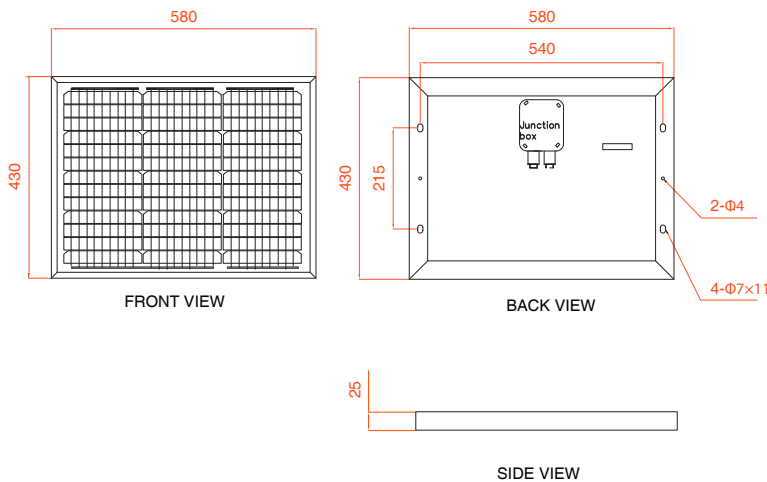
Electrical Data	SR40-36M	SR45-36M
Maximum power (Pmax)	40W	45W
Voltage at Pmax (Vmp)	19.8V	20.0V
Current at Pmax (Imp)	2.02A	2.25A
Open-circuit voltage (Voc)	23.76V	24.0V
Short-circuit current (Isc)	2.20A	2.45A
Temperature coefficient of Voc	-(80±10)mV/°C	
Temperature coefficient of Isc	(0.065±0.015)%/ °C	
Temperature coefficient of power	-(0.5±0.05)%/ °C	
NOCT (Air 20°C; Sun 0.8kW/m² wind 1m/s)	47±2°C	
Operating temperature	-40°C to 85°C	
Maximum system voltage	1000V DC	
Power tolerance	+ 3%	

* STC: Irradiance 1000W/m², AM1.5 spectrum, module temperature 25°C

* NOCT: Nominal operating cell temperature (the data is only for reference)



Dimensions Of PV Module



*All Dimensions in mm

Mechanical Data	SR40-36M	SR45-36M
Cells	Mono cutted cells	
No. of cells and connections	36(3×12)	
Module dimension	430×580×25mm	
Weight	2.8 kg	
No. of Mounting Holes	4	

Output & Connectors (Optional)



Packing Solution

Resell Carton box: 1/2/5/10pcs per Carton



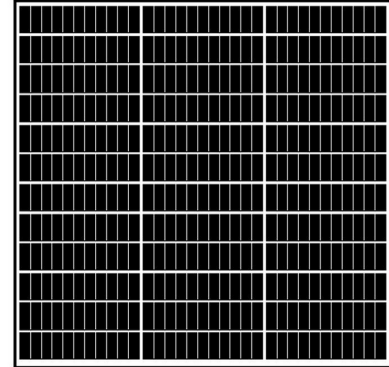
SR50-55-36M

High Efficiency Monocrystalline PV Module

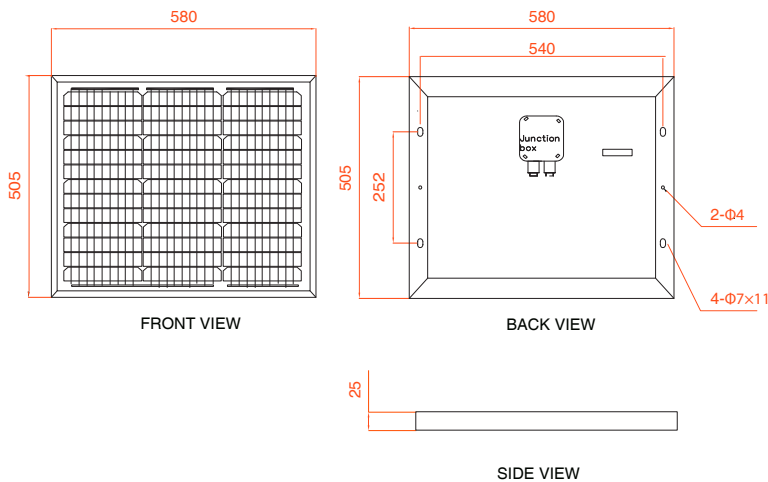
Electrical Data	SR50-36M	SR55-36M
Maximum power (Pmax)	50W	55W
Voltage at Pmax (Vmp)	20.1V	20.1V
Current at Pmax (Imp)	2.49A	2.74A
Open-circuit voltage (Voc)	24.12V	24.12V
Short-circuit current (Isc)	2.71A	2.98A
Temperature coefficient of Voc	-(80±10)mV/°C	
Temperature coefficient of Isc	(0.065±0.015)%/ °C	
Temperature coefficient of power	-(0.5±0.05)%/ °C	
NOCT (Air 20°C; Sun 0.8kW/m ² wind 1m/s)	47±2°C	
Operating temperature	-40°C to 85°C	
Maximum system voltage	1000V DC	
Power tolerance	+ 3%	

* STC: Irradiance 1000W/m², AM1.5 spectrum, module temperature 25°C

* NOCT:Nominal operating cell temperature (the data is only for reference)



Dimensions Of PV Module



*All Dimensions in mm

Mechanical Data	SR50-36M	SR55-36M
Cells	Mono cutted cells	
No. of cells and connections	36(3×12)	
Module dimension	505×580×25mm	
Weight	3.2 kg	
No. of Mounting Holes	4	

Output & Connectors (Optional)



Packing Solution

Resell Carton box: 1/2/5/10pcs per Carton

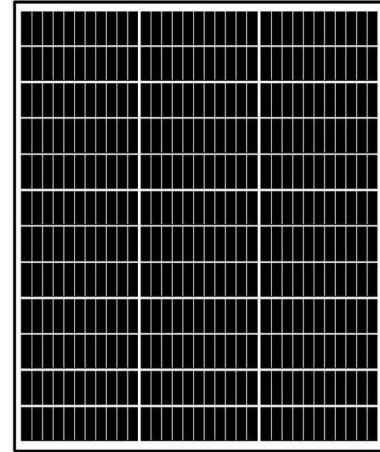


SR60-36M

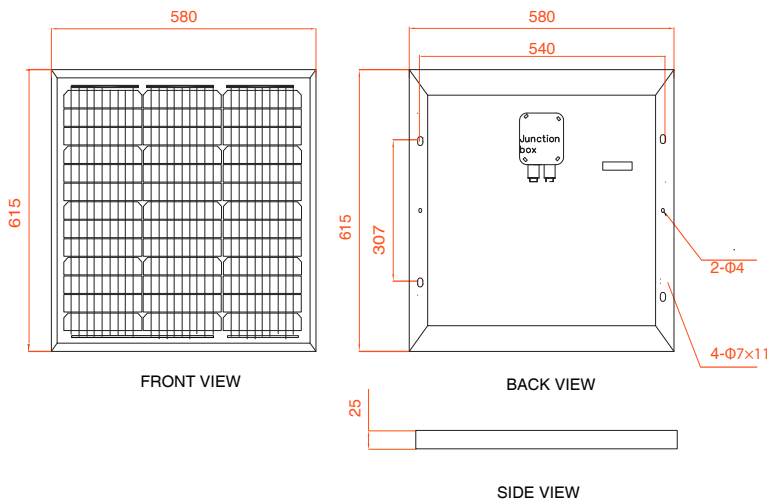
High Efficiency Monocrystalline PV Module

Electrical Data	SR60-36M
Maximum power (Pmax)	60W
Voltage at Pmax (Vmp)	20.26V
Current at Pmax (Imp)	2.96A
Open-circuit voltage (Voc)	24.3V
Short-circuit current (Isc)	3.23A
Temperature coefficient of Voc	-(80±10)mV/°C
Temperature coefficient of Isc	(0.065±0.015)%/ °C
Temperature coefficient of power	-(0.5±0.05)%/ °C
NOCT (Air 20°C; Sun 0.8kW/m ² wind 1m/s)	47±2°C
Operating temperature	-40°C to 85°C
Maximum system voltage	1000V DC
Power tolerance	+ 3%

* STC: Irradiance 1000W/m², AM1.5 spectrum, module temperature 25°C
 * NOCT: Nominal operating cell temperature (the data is only for reference)



Dimensions Of PV Module



*All Dimensions in mm

Mechanical Data	SR60-36M
Cells	Mono cutted cells
No. of cells and connections	36(3×12)
Module dimension	615×580×25mm
Weight	3.8kg
No. of Mounting Holes	4

Output & Connectors (Optional)



Packing Solution

Resell Carton box: 1/2/5/10pcs per Carton



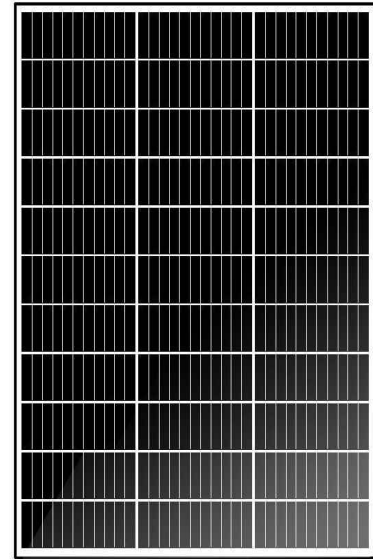
SR80-36M

High Efficiency Monocrystalline PV Module

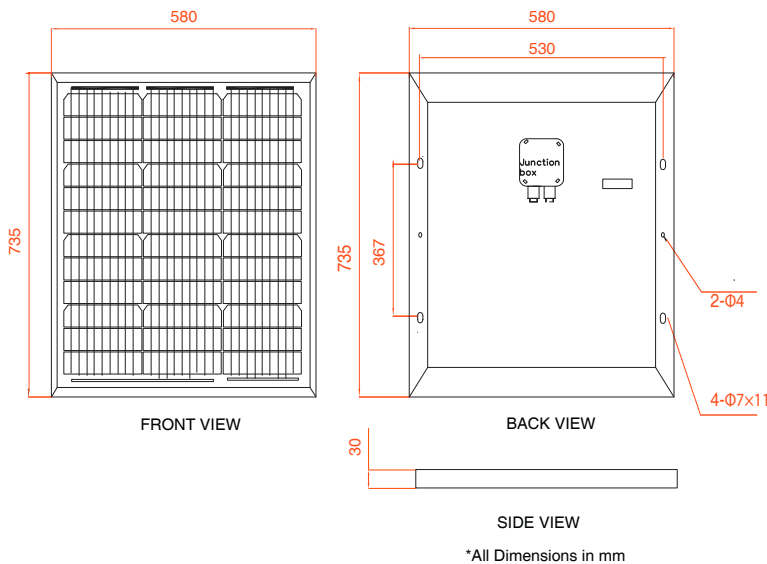
Electrical Data	SR80-36M
Maximum power (Pmax)	80W
Voltage at Pmax (Vmp)	18.6V
Current at Pmax (Imp)	4.3A
Open-circuit voltage (Voc)	22.32V
Short-circuit current (Isc)	4.56A
Temperature coefficient of Voc	-(80±10)mV/°C
Temperature coefficient of Isc	(0.065±0.015)%/ °C
Temperature coefficient of power	-(0.5±0.05)%/ °C
NOCT (Air 20°C; Sun 0.8kW/m² wind 1m/s)	47±2°C
Operating temperature	-40°C to 85°C
Maximum system voltage	1000V DC
Power tolerance	+ 3%

* STC: Irradiance 1000W/m², AM1.5 spectrum, module temperature 25°C

* NOCT: Nominal operating cell temperature (the data is only for reference)



Dimensions Of PV Module



Mechanical Data	SR80-36M
Cells	Mono cutted cells
No. of cells and connections	33(3×11)
Module dimension	735×580×30mm
Weight	4.6 kg
No. of Mounting Holes	4

Output & Connectors (Optional)



Packing Solution

Resell Carton box: 1/2/5pcs per Carton

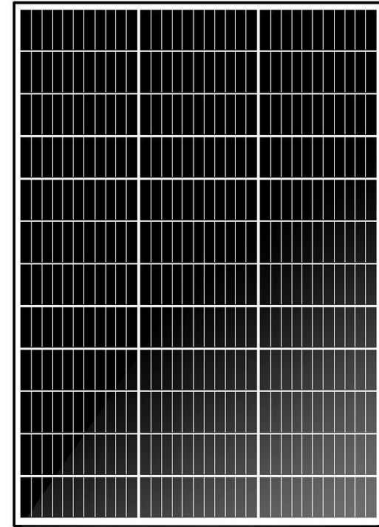


SR90-36M

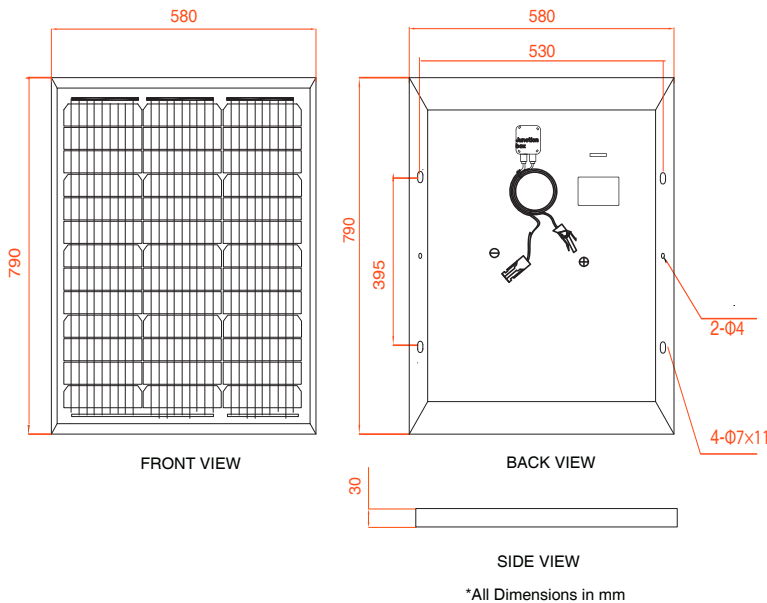
High Efficiency Monocrystalline PV Module

Electrical Data	SR90-36M
Maximum power (Pmax)	90W
Voltage at Pmax (Vmp)	20.32V
Current at Pmax (Imp)	4.43A
Open-circuit voltage (Voc)	24.38V
Short-circuit current (Isc)	4.7A
Temperature coefficient of Voc	-(80±10)mV/°C
Temperature coefficient of Isc	(0.065±0.015)%/°C
Temperature coefficient of power	-(0.5±0.05)%/°C
NOCT (Air 20°C; Sun 0.8kW/m ² wind 1m/s)	47±2°C
Operating temperature	-40°C to 85°C
Maximum system voltage	1000V DC
Power tolerance	+ 3%

* STC: Irradiance 1000W/m², AM1.5 spectrum, module temperature 25°C
 * NOCT: Nominal operating cell temperature (the data is only for reference)



Dimensions Of PV Module



Mechanical Data	SR100-36M
Cells	Mono cutted cells
No. of cells and connections	36(3×12)
Module dimension	790×580×30mm
Weight	5 kg
No. of Mounting Holes	4

Output & Connectors (MC4)



Packing Solution

Resell Carton box: 1/2/5pcs per Carton

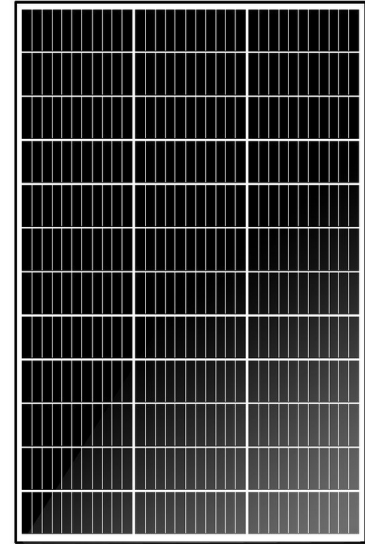


SR100-36M

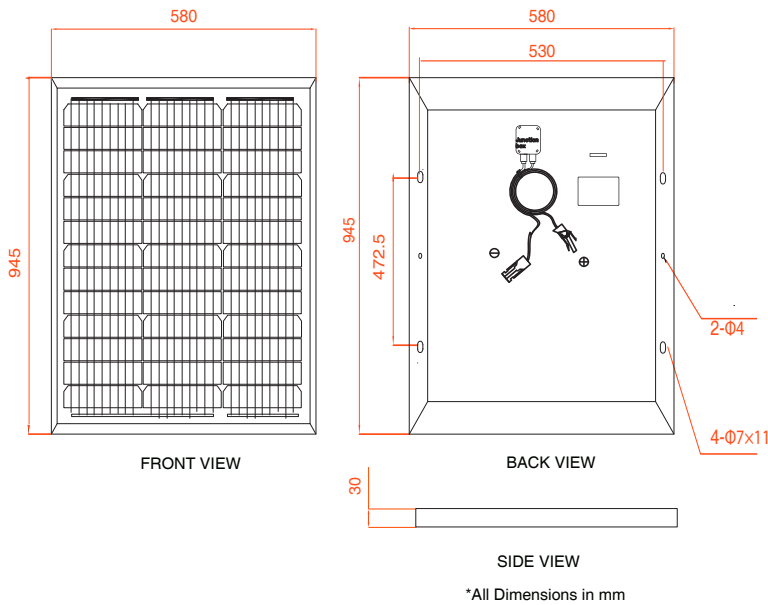
High Efficiency Monocrystalline PV Module

Electrical Data	SR100-36M
Maximum power (Pmax)	100W
Voltage at Pmax (Vmp)	20.5V
Current at Pmax (Imp)	4.88A
Open-circuit voltage (Voc)	24.6V
Short-circuit current (Isc)	5.17A
Temperature coefficient of Voc	-(80±10)mV/°C
Temperature coefficient of Isc	(0.065±0.015)%/ °C
Temperature coefficient of power	-(0.5±0.05)%/ °C
NOCT (Air 20°C; Sun 0.8kW/m² wind 1m/s)	47±2°C
Operating temperature	-40°C to 85°C
Maximum system voltage	1000V DC
Power tolerance	+ 3%

* STC: Irradiance 1000W/m², AM1.5 spectrum, module temperature 25°C
 * NOCT: Nominal operating cell temperature (the data is only for reference)



Dimensions Of PV Module



Output & Connectors (MC4)



Packing Solution

Resell Carton box: 1/2/5pcs per Carton



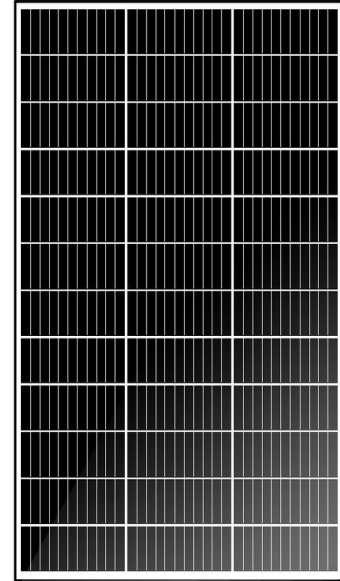
Mechanical Data	SR100-36M
Cells	Mono cutted cells
No. of cells and connections	36(3×12)
Module dimension	945×580×30mm
Weight	5.9 kg
No. of Mounting Holes	4

SR130-36M

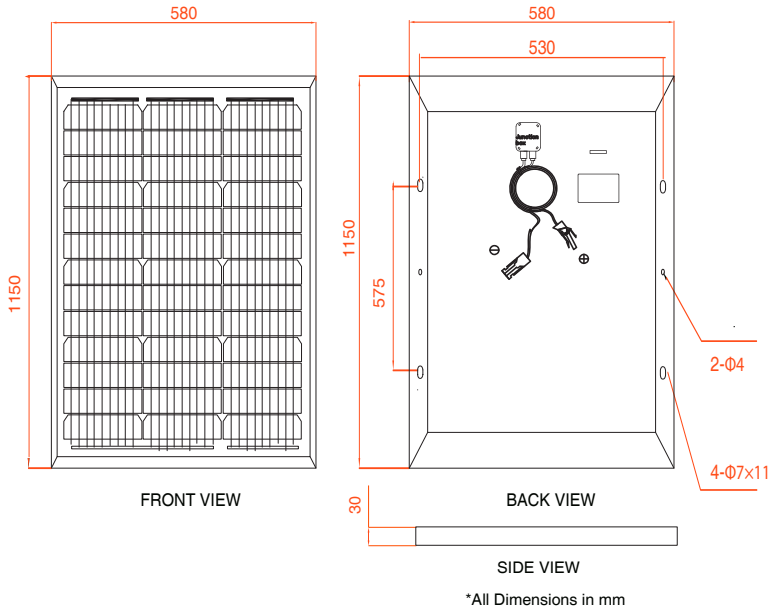
High Efficiency Monocrystalline PV Module

Electrical Data	SR130-36M
Maximum power (Pmax)	130W
Voltage at Pmax (Vmp)	21.35V
Current at Pmax (Imp)	6.46A
Open-circuit voltage (Voc)	25.62V
Short-circuit current (Isc)	6.48A
Temperature coefficient of Voc	-(80±10)mV/°C
Temperature coefficient of Isc	(0.065±0.015)%/°C
Temperature coefficient of power	-(0.5±0.05)%/°C
NOCT (Air 20°C; Sun 0.8kW/m ² wind 1m/s)	47±2°C
Operating temperature	-40°C to 85°C
Maximum system voltage	1000V DC
Power tolerance	+ 3%

* STC: Irradiance 1000W/m², AM1.5 spectrum, module temperature 25°C
 * NOCT: Nominal operating cell temperature (the data is only for reference)



Dimensions Of PV Module



Mechanical Data	SR130-36M
Cells	Mono cutted cells
No. of cells and connections	36(3×12)
Module dimension	1150×580×30mm
Weight	7.2 kg
No. of Mounting Holes	4

Output & Connectors (MC4)



Packing Solution

Resell Carton box: 1/2/4pcs per Carton



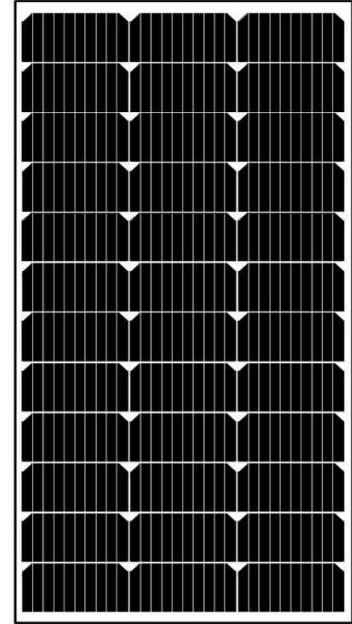
SR150-36M

High Efficiency Monocrystalline PV Module

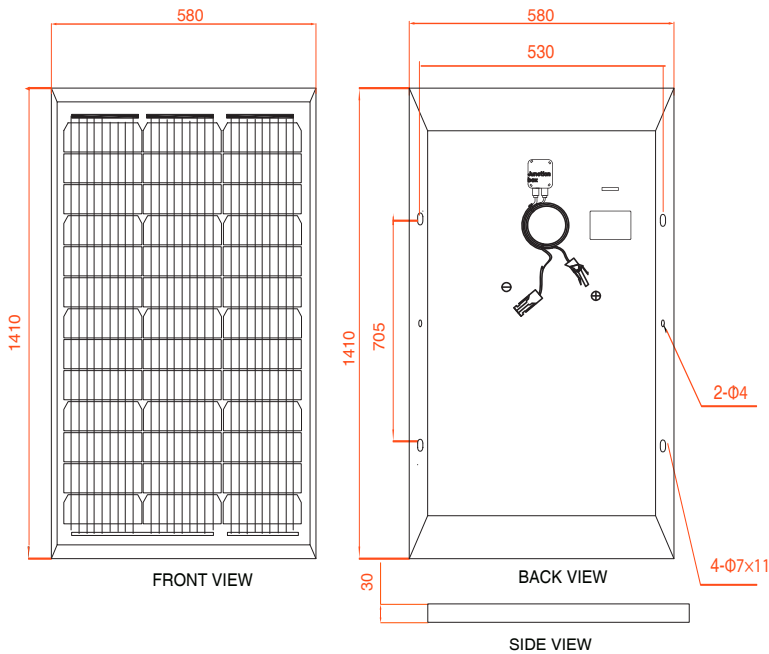
Electrical Data	SR150-36M
Maximum power (Pmax)	150W
Voltage at Pmax (Vmp)	21.6V
Current at Pmax (Imp)	6.95A
Open-circuit voltage (Voc)	25.92V
Short-circuit current (Isc)	7.36A
Temperature coefficient of Voc	-(80±10)mV/°C
Temperature coefficient of Isc	(0.065±0.015)%/°C
Temperature coefficient of power	-(0.5±0.05)%/°C
NOCT (Air 20°C; Sun 0.8kW/m ² wind 1m/s)	47±2°C
Operating temperature	-40°C to 85°C
Maximum system voltage	1000V DC
Power tolerance	+ 3%

* STC: Irradiance 1000W/m², AM1.5 spectrum, module temperature 25°C

* NOCT: Nominal operating cell temperature (the data is only for reference)



Dimensions Of PV Module



*All Dimensions in mm

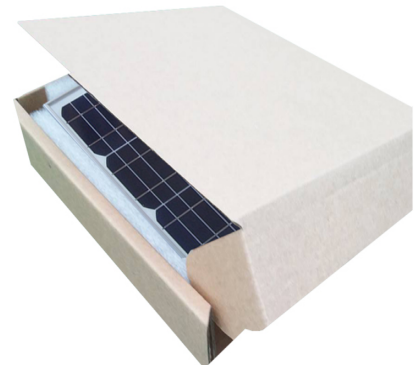
Mechanical Data	SR150-36M
Cells	Mono cutted cells
No. of cells and connections	36(3×12)
Module dimension	1410×580×30mm
Weight	8.9 kg
No. of Mounting Holes	4

Output & Connectors (MC4)



Packing Solution

Resell Carton box: 1/2/4pcs per Carton



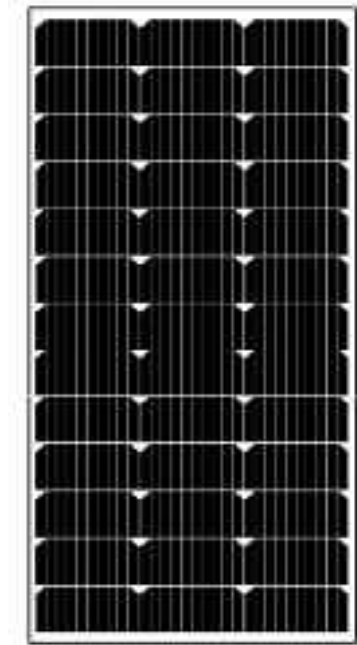
SR160-180-36M

High Efficiency Monocrystalline PV Module

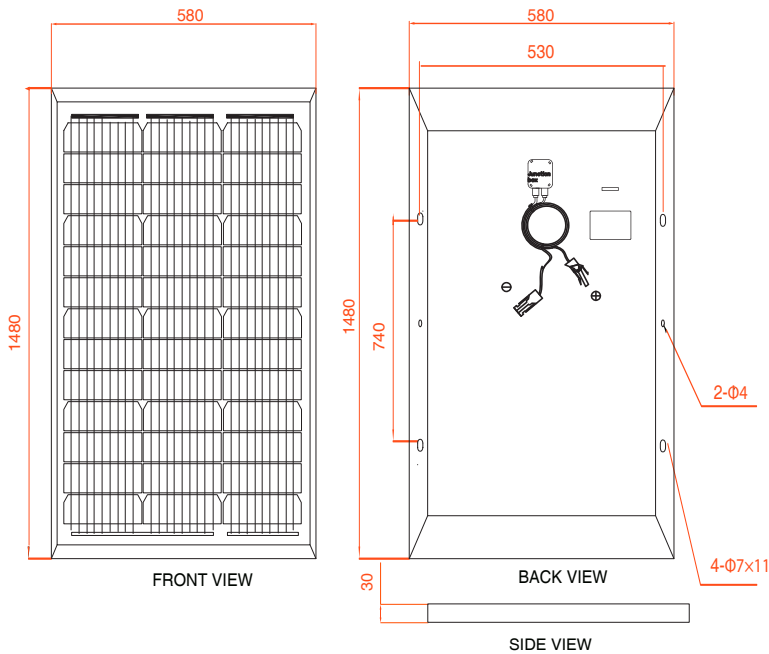
Electrical Data	SR160-36M	SR170-36M	SR180-36M
Maximum power (Pmax)	160W	170W	180W
Voltage at Pmax (Vmp)	22.5V	22.74V	22.98V
Current at Pmax (Imp)	7.11A	7.48A	7.83A
Open-circuit voltage (Voc)	27.0V	27.29V	27.58V
Short-circuit current (Isc)	7.54A	7.93A	8.3A
Temperature coefficient of Voc	-(80±10)mV/°C		
Temperature coefficient of Isc	(0.065±0.015)%/ °C		
Temperature coefficient of power	-(0.5±0.05)%/ °C		
NOCT (Air 20°C; Sun 0.8kW/m ² wind 1m/s)	47±2°C		
Operating temperature	-40°C to 85°C		
Maximum system voltage	1000V DC		
Power tolerance	+ 3%		

* STC: Irradiance 1000W/m², AM1.5 spectrum, module temperature 25°C

* NOCT: Nominal operating cell temperature (the data is only for reference)



Dimensions Of PV Module



*All Dimensions in mm

Mechanical Data	SR160-36M	SR170-36M	SR180-36M
Cells	Mono cutted cells		
No. of cells and connections	39(3x13)		
Module dimension	1480x580x30mm		
Weight	9.3 kg		
No. of Mounting Holes	4		

Output & Connectors (MC4)



Packing Solution

Resell Carton box: 1/2/4pcs per Carton

